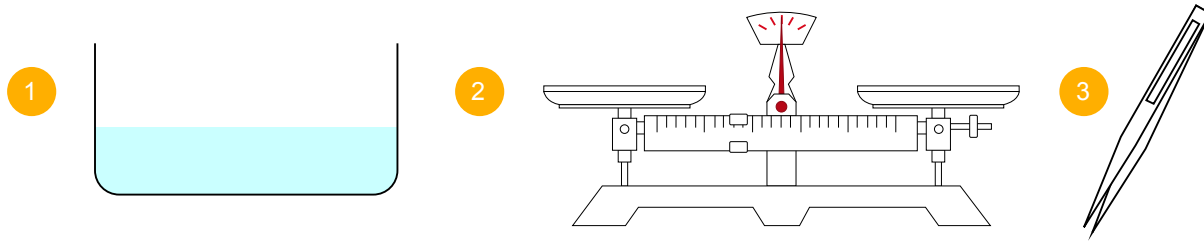
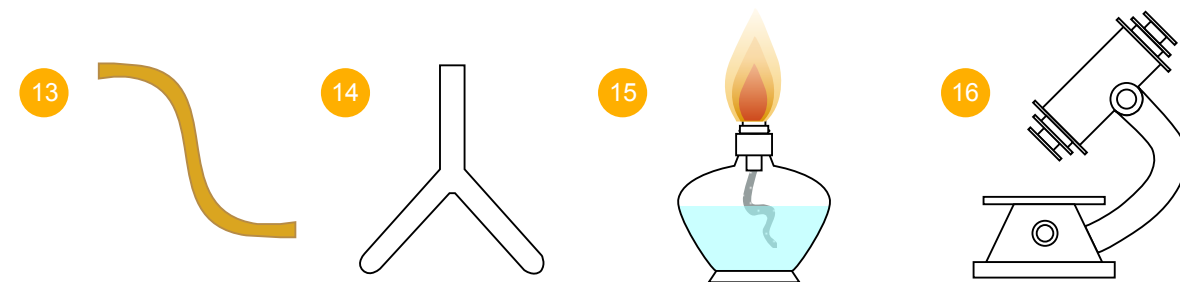
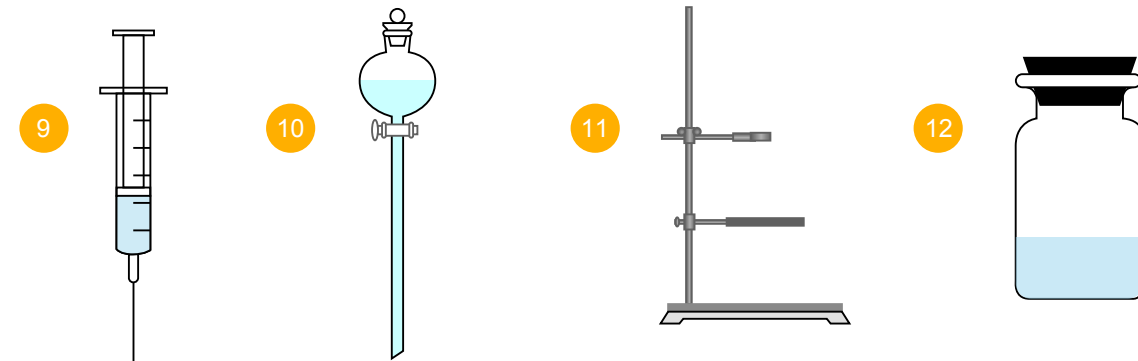
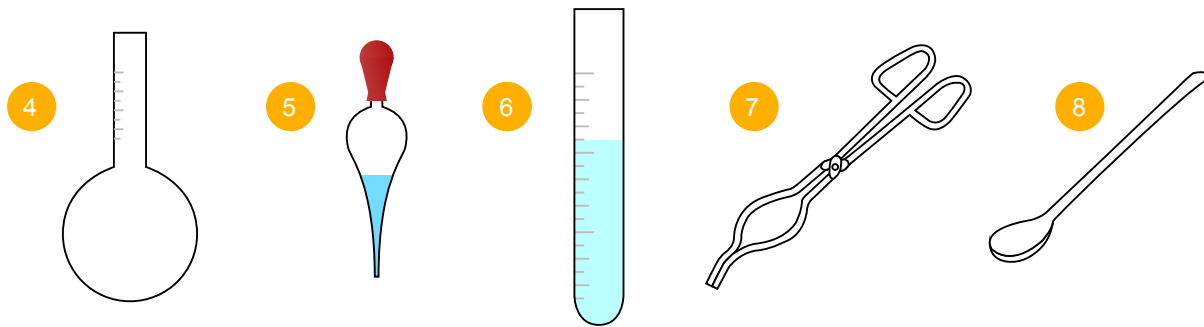


Laboratory Equipment and Uses Worksheet



Identify the laboratory equipments and write down their main functions:



	Name	Function
1		
2		
3		
4		
5		
6		
7		
8		
9		
10		
11		
12		
13		
14		
15		
16		