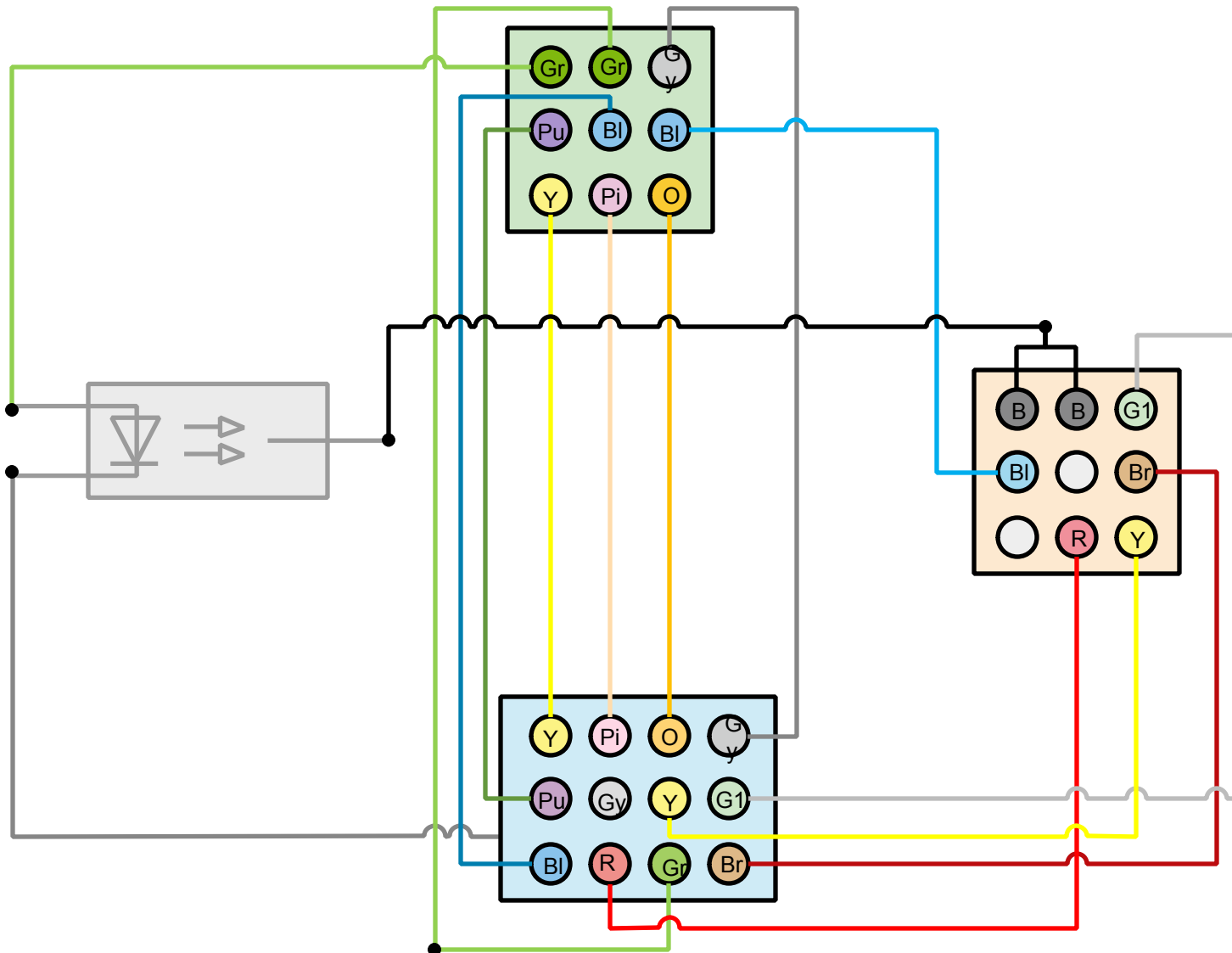


# Wiring Diagram



B	BLACK (-12V)
Br	Brown (+12V)
Bl	BLUE (+12V)
Gy	GREY (-12V)
Gr	GREEN (-12V)
R	RED ±12V
Y	YELLOW (+12V)
W	WHITE (+12V)
O	ORANGE (-12V)
Pu	PURPLE (+12V)
Pi	PINK (-12V)